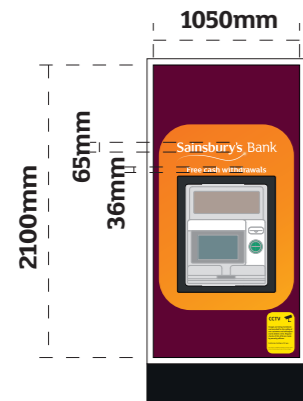




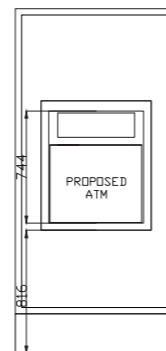
Photo of existing



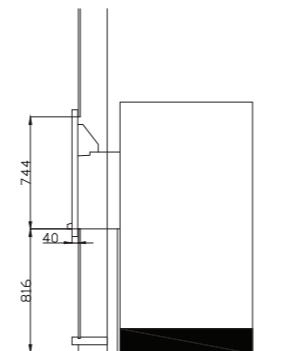
Proposed external elevation



Proposed signage detail
1:50@A3
Digitally printed graphic
White text 255/255/255
New plum





Proposed ATM front elevation
1:50@A3



Proposed ATM side cross section
1:50@A3



NOTES	REV	REVISIONS	DATE	REV	REVISIONS	DATE	ORIGINATOR	AUTHORISED	PROJECT	 Retail Design Solutions (Consultancy) Ltd Retail Design Solutions (Consultancy) Limited, The Mill Store, Foundry Lane, East Coker, Exons, CO9 2SB Company Registration No: 4378384 Tel: 01797 224876 Fax: 01797 224776 www.retaildesignsolutions.com info@retaildesignsolutions.com	 STORE DEVELOPMENT GROUP, SAINSBURY'S SUPERMARKETS LTD 33 HOLBORN, LONDON, EC1N 2HT TELEPHONE:- 020 7695 6000 FAX:- 020 7695 7610
	1#	Initial Layout.	01.06.16				RDS/RG	SH	EAST BOLDON ATM PLANNING PROPOSAL		
							DATE 01.06.16	SCALE 1:50 @A3	ADDRESS 3 STATION TERRACE, EAST BOLDON, NE36 0LJ		
							DRAWING NUMBER 4630G04-ATM	REVISION 1#			